

DINAMIC OR⁺



THE ULTIMATE PROCEDURAL SOLUTION

Finally, a Customizable Back Table Solution that will Optimize Your OR.

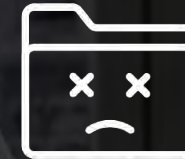
COMPLEX PROBLEMS IN THE OR



Inconsistent Setups
Cause Errors and
Waste Time



Staff Turnover



Onboarding &
Knowledge Transfer



Setup & Break Down
Time with Lack of
Workspace



Tray & Instrument
Inventory Issues



Increased Demand
for OR Time



THE **DINAMICOR** FORMULA



EFFICIENCY

33%  **TIME
REDUCTION**



SAFETY

88%  **DECREASED
TRAY MOVEMENTS**



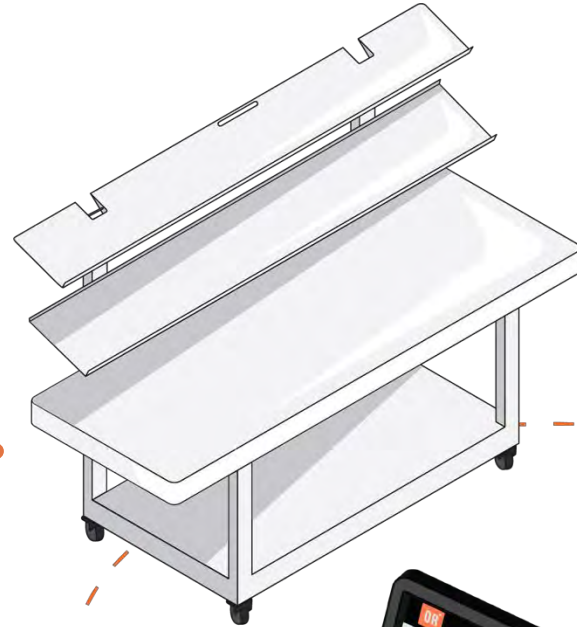
EDUCATION

PROVIDE JUST-IN-TIME
TRAINING 
FOR SURGICAL TECHS

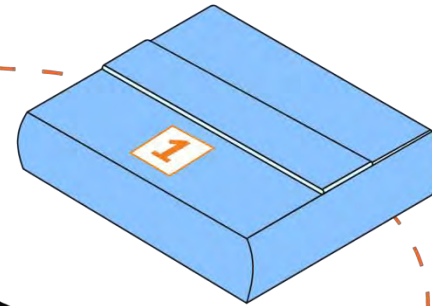


A THREE COMPONENT SOLUTION

Adjustable
Back Table



Durable
Drape



Workflow
Management App

EXPLORE THE
4-IN-1
BACK TABLE

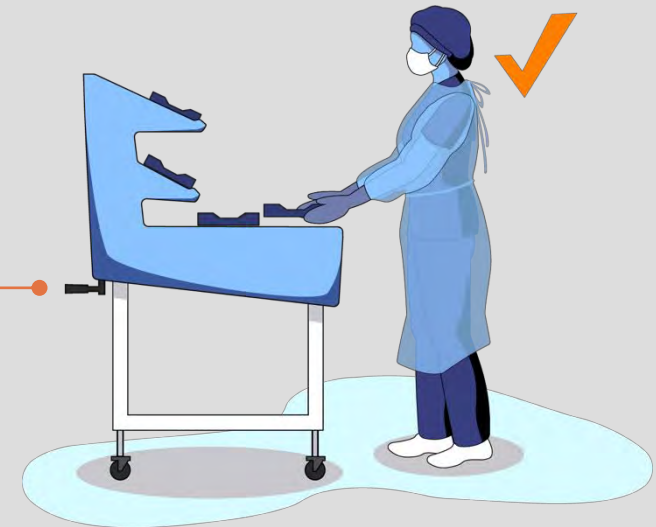
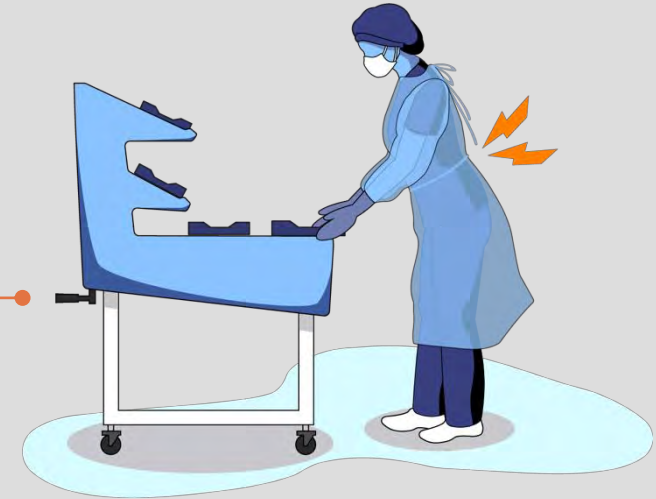


PRIORITIZE **ERGONOMICS** & SAFETY



Configurable Shelves

Adjustable Heights



4-TABLES-IN-1



1

2



3

4

Ergonomic Excellence: Enhancing Performance

Prioritize your surgical team's well-being. Our back table features a 6" adjustable height range, reducing the risk of staff injuries and ensuring top-tier patient care.

Multi-Tiered Organization: Elevate Instrument Visibility

Choose from our two sizes – double wide, fitting up to 8 trays, or triple wide, accommodating up to 12 trays. With multiple tiers, our back table offers up to 92% instrument visibility.

Adaptive Design: Redefine Efficiency

Our back table's 4-in-1 configuration allows you to adjust shelf positions, catering to the unique needs of different procedures.



AVAILABLE IN TWO-SIZES

TRIPLE WIDE

Full Table

Dimensions: 68.0"L x 28.3"
Height Range: 49" - 55"

Main Surface

Dimensions: 68.0"L x 26.3"D
Height from Floor: 30" - 36"
Weight Capacity: 300lbs

Angled Surfaces

Top Shelf: 68.0"L x 11.3"D
Middle Shelf: 68.0"L x 12.3"D
Weight Capacity: 150lbs

DOUBLE WIDE

Full Table

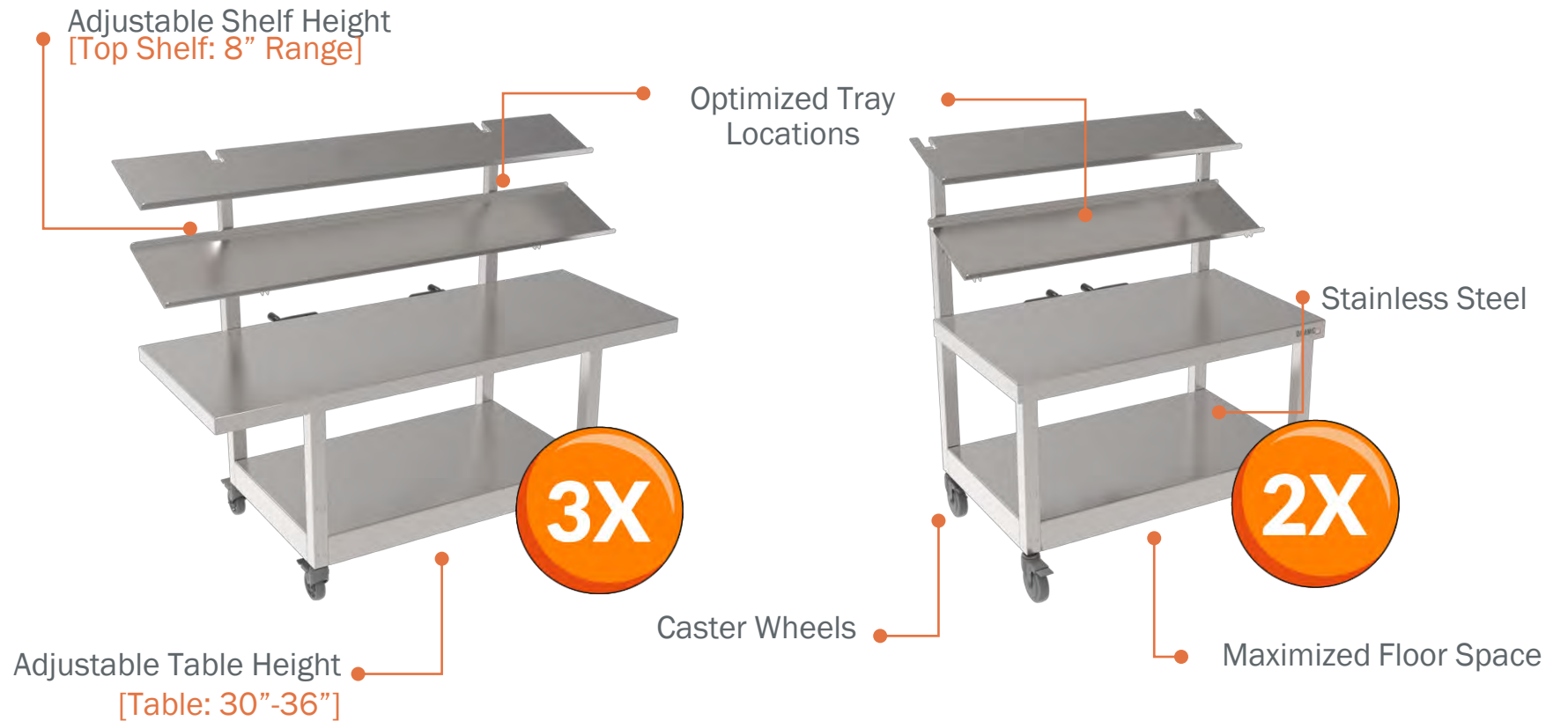
Dimensions: 45.5"L x 28.3"D
Height Range: 49" - 55"

Main Surface

Dimensions: 45.5"L x 26.3"D
Height from Floor: 30" - 36"
Weight Capacity: 300lbs

Angled Surfaces

Top Shelf: 45.5"L x 11.3"D
Middle Shelf: 45.5"L x 12.3"D
Weight Capacity: 150lbs



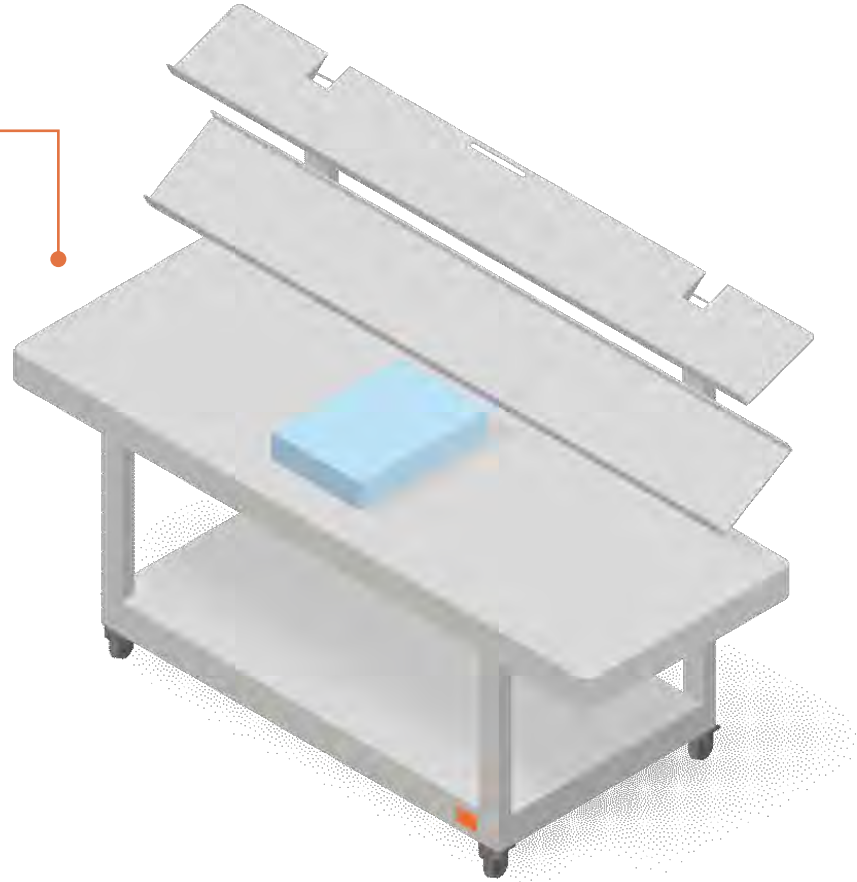
RELY ON THE
CUSTOM FITTED
DURABLE DRAPE



DURABLE & EASY TO INSTALL

EASY TO INSTALL

Customized wire tape
for a snug and secure

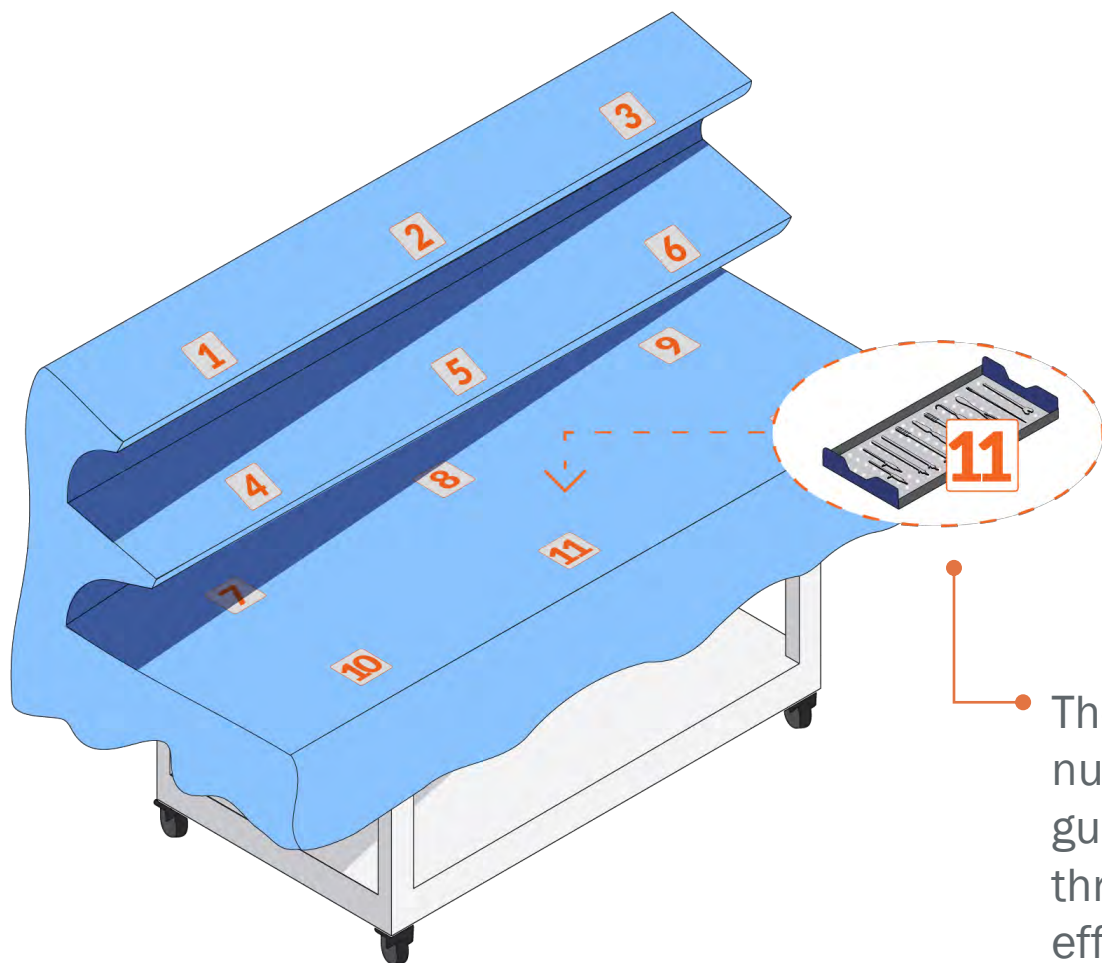


THICK NON-TEAR FABRIC

The thickest drape on
the market

OR⁺

NUMBERED PLACEMENT ICONS



The drape features numbered placement icons, guiding your surgical team through repeatable and efficient tray setups.



MEET THE WORKFLOW MANAGEMENT APP



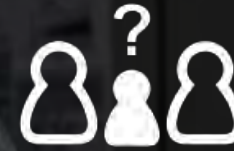
ADDRESSING THE STAFFING CRISIS



Delayed Procedures



Increased Workload



Staffing Gaps



Limited Onboarding



Risk of Errors



Lack of Training

EMPOWERING EDUCATION & EFFICIENCY

- Customize procedures for smoother workflows
- Share knowledge with documented workflows
- Simplify staff onboarding
- Ensure accurate instrument placement with a reference database
- Reduce risk by verifying instrument availability

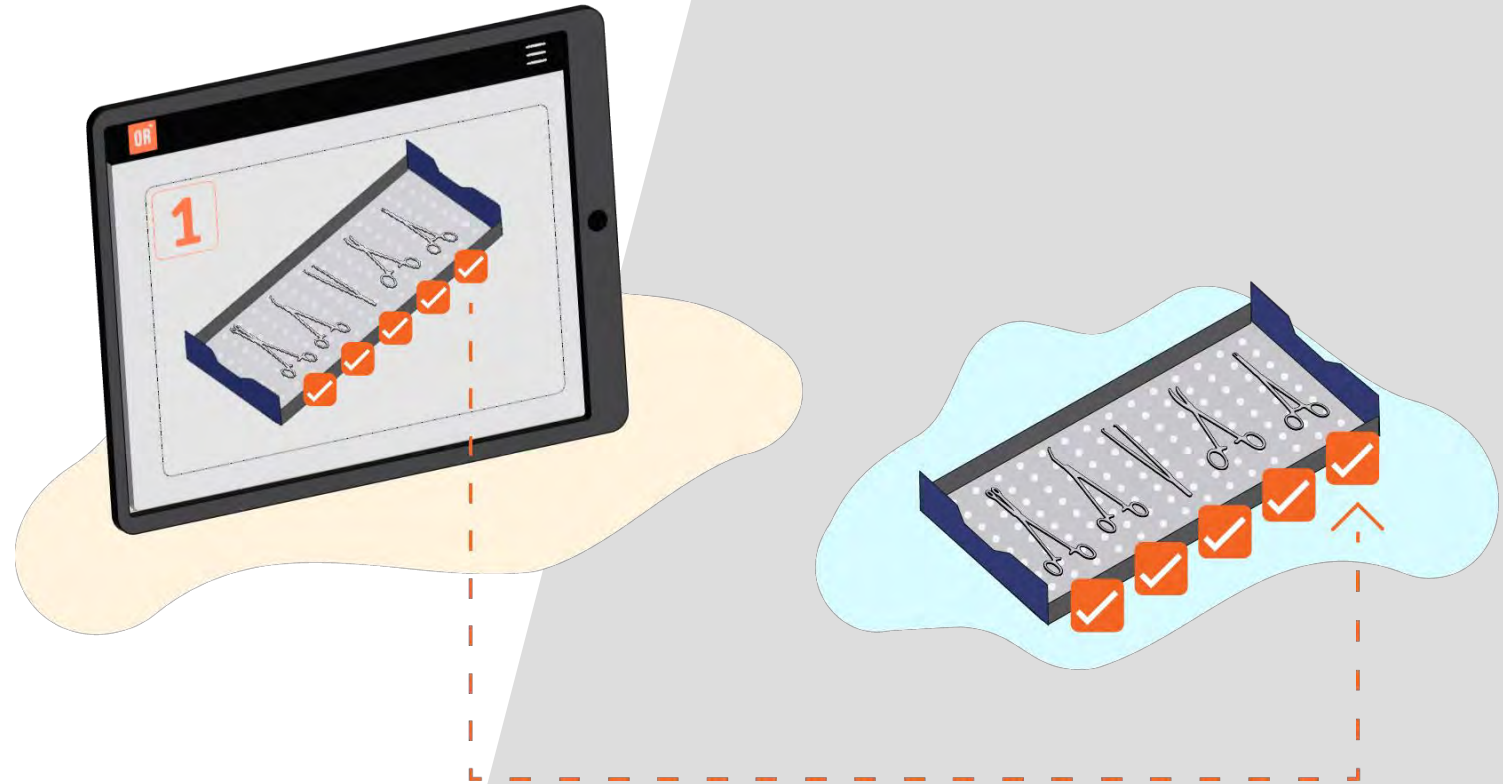
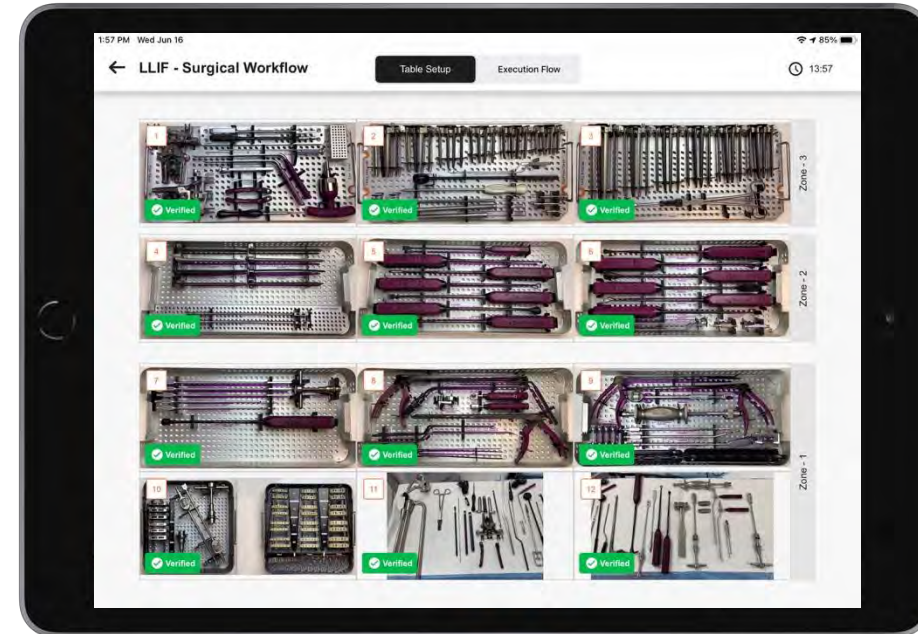
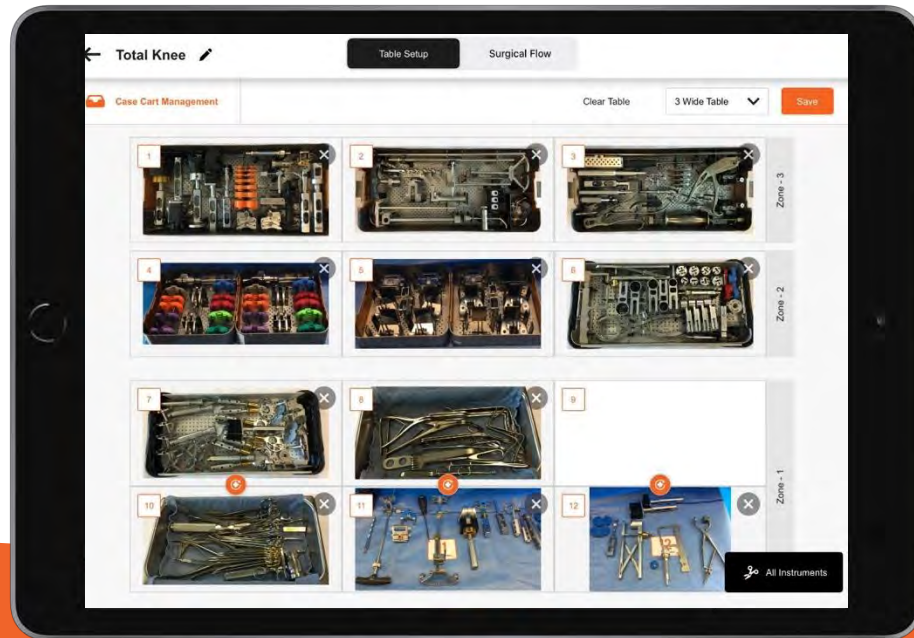


TABLE SETUP MODE: Placement & Verification



RISK MITIGATION

Verify all necessary equipment is in the room prior to starting the case.

IMPROVE EFFICIENCY

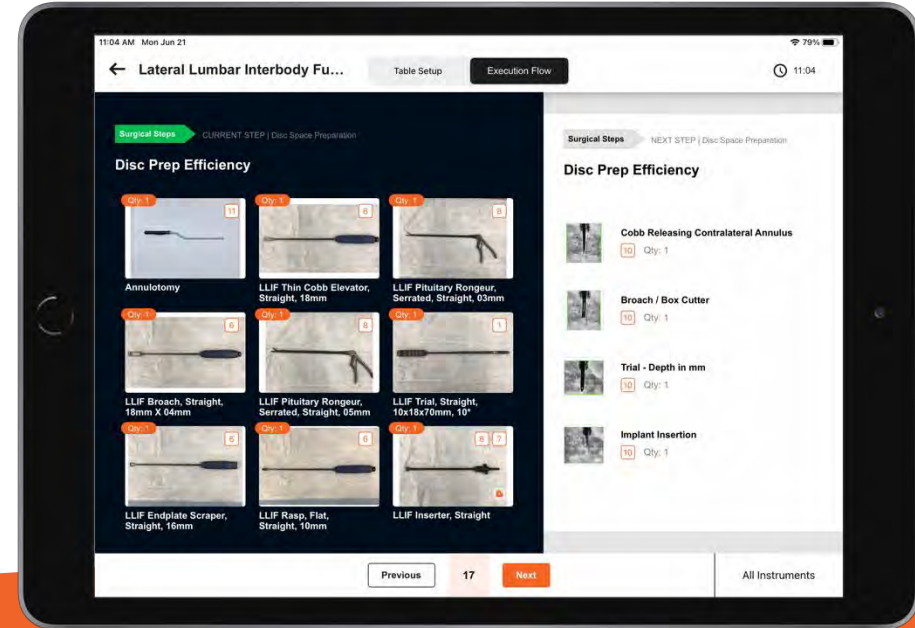
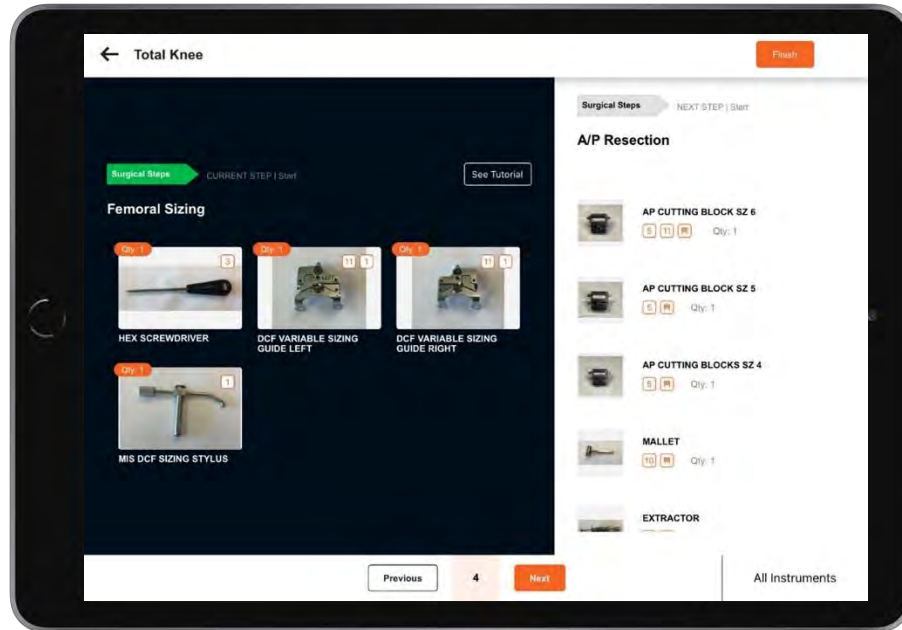
The DinamicOR+ App's guided walkthroughs reduce setup time by up to 33 percent.

REPEATABILITY

Set up the back table the same way every time no matter who is in the room.



SURGICAL WORKFLOW MODE: Onboarding & Education



SURGICAL CHECKLISTS

Provide staff just in time education during the case

TIME SAVINGS

Guides staff through every step of setup. Complex and unfamiliar procedures can be mapped and planned to reduce OR errors.

PROCEDURAL SEQUENCING

Plan every procedure to have the exact needed instruments every time, ensuring fast and reliable setup.



CUSTOMIZED
INTEGRATION
INTO YOUR OR



STANDARD SETUP



DINAMICOR SETUP



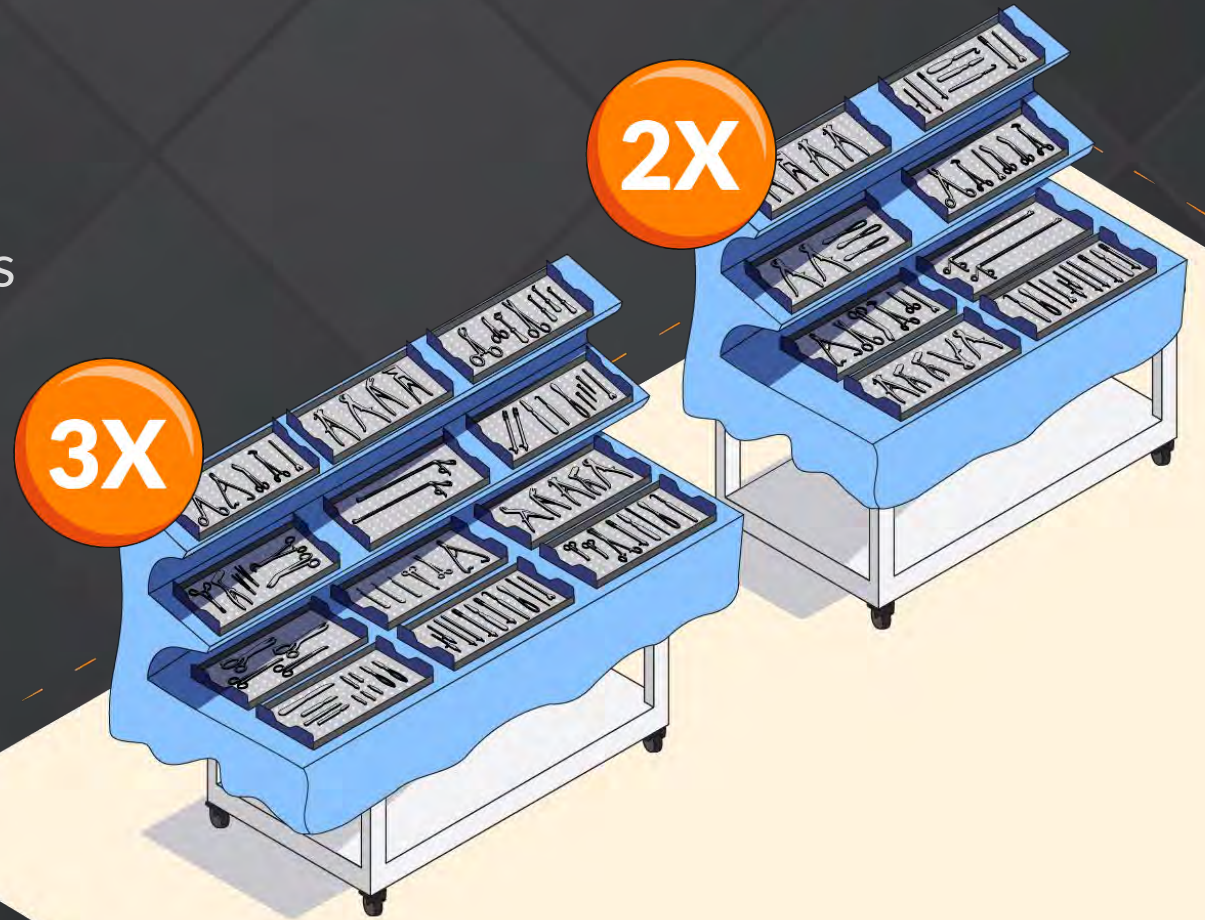
IMPLEMENTATION

Step 1 + DinamicOR Table & Drape

- Customize the right tables for your rooms

Step 2 + App with Table Layout

Step 3 + App with Surgical Workflow



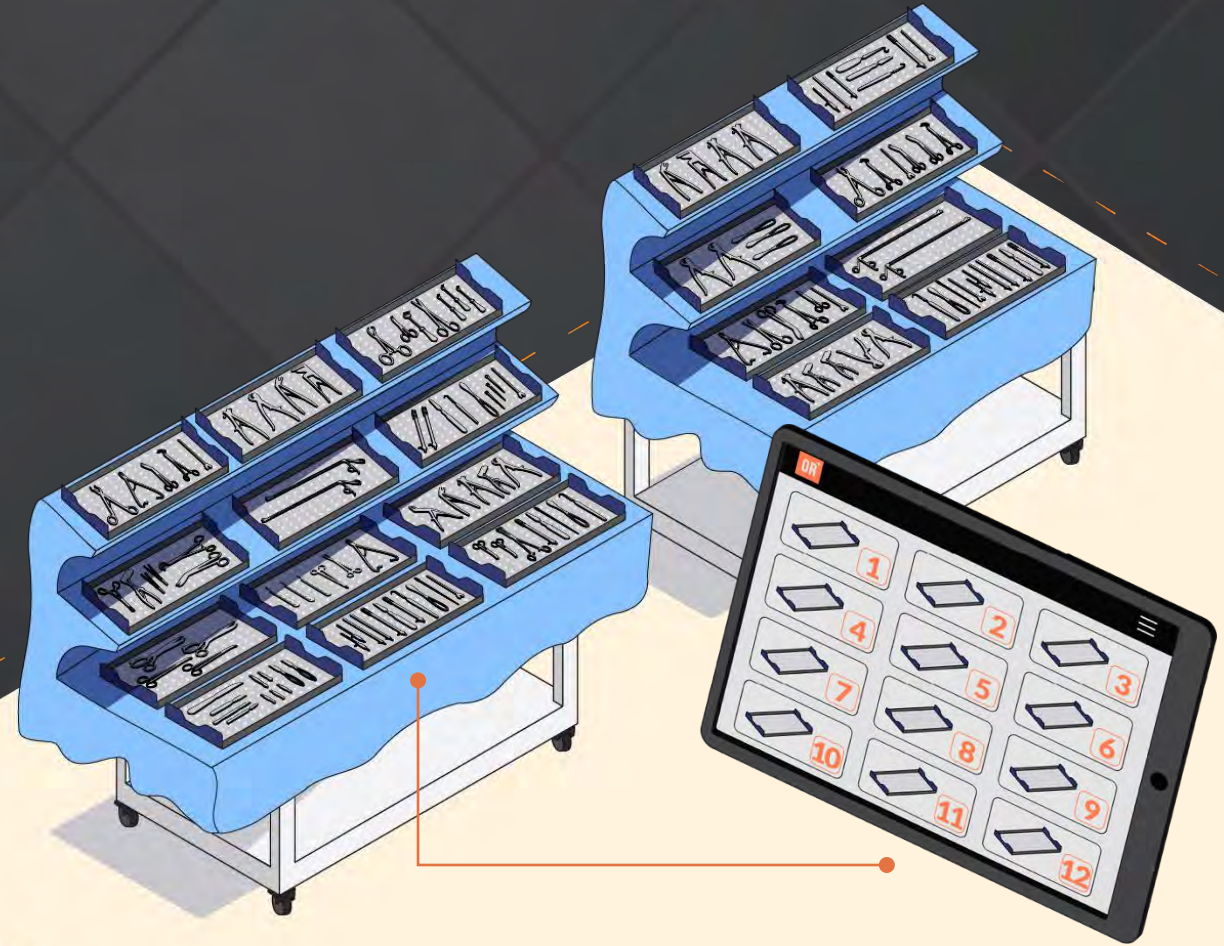
IMPLEMENTATION

Step 1 + DinamicOR Table & Drape

Step 2 + App with Table Layout

- Integrate with the App to build your unique library of table setups for each procedure

Step 3 + App with Surgical Workflow



IMPLEMENTATION

Step 1 + DinamicOR Table & Drape

Step 2 + App with Table Layout

Step 3 + App with Surgical Workflow

- Click through surgeon specific workflows for efficient onboarding & education



CUSTOMER REPORTED BENEFITS

"Helped with consistency and repeatability."

"Workflow visibility enhanced."

"Efficient onboarding and knowledge transfer."

"Game-changer in organization!"

"Fewer tables needed!"

"Sterile field size reduced."

"Setup and turnover time reduced!"

"Improved ergonomics drastically."

"Maximized floor space!"



DINAMIC **OR⁺**



THANK YOU

Follow up with us at info@dinamicor.com