

**Stainless Steel**

**DinamicOR Triple Wide**

68.0"L x 31.5"D x 53.5"H

**Main Surface**

68.0"L x 26.3"D

30" - 36" from floor

**Two Angled Surfaces**

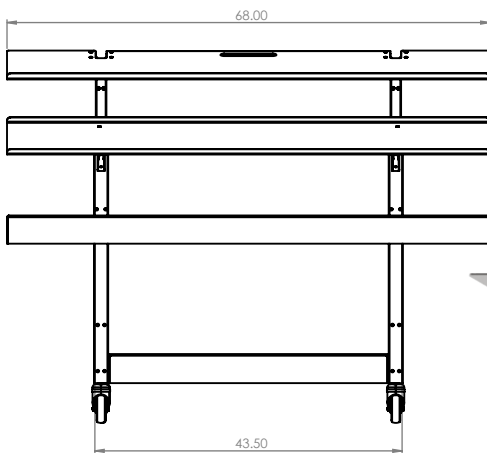
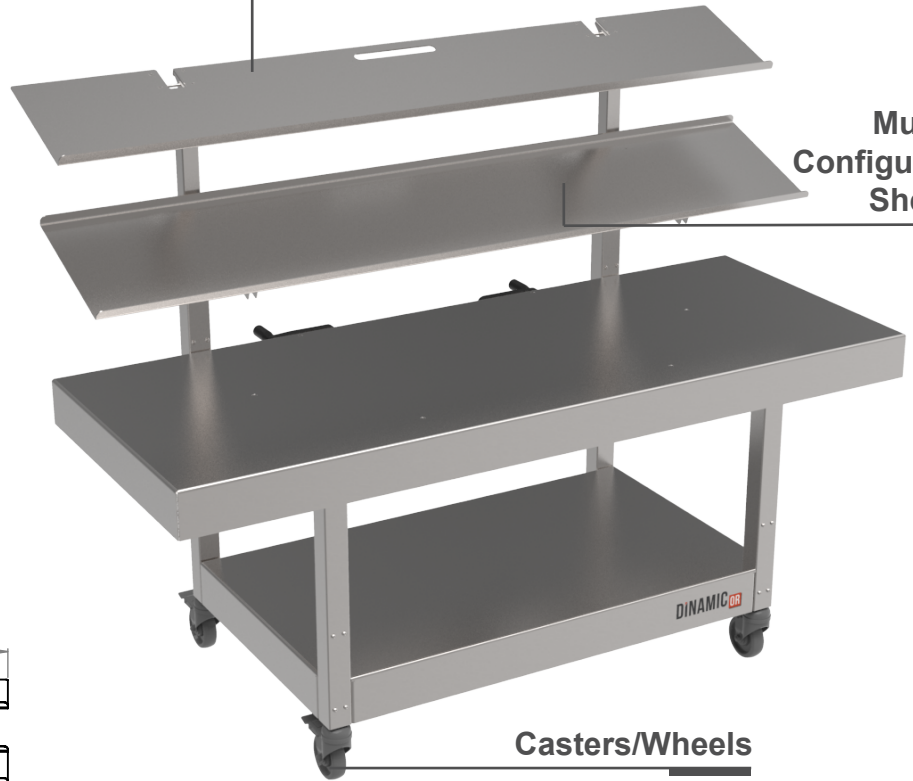
68.0"L x 11.5"D

**Weight Capacity**

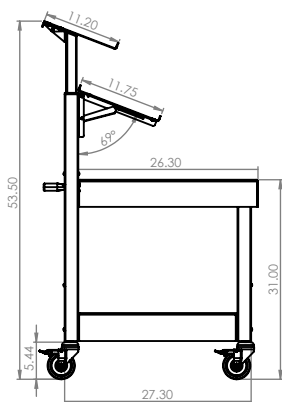
300 lbs. Main Surface

150 lbs. Angled Surfaces

*\*evenly distributed*



**Front View**



**Side View**



**DINAMICOR TRIPLE WIDE**

SCALE: 1:25 ALL DIMENSIONS IN INCHES

**DINAMIC OR**  
YOUR TABLE | YOUR WAY  
[WWW.DINAMICOR.COM](http://WWW.DINAMICOR.COM)