

DinamicOR Double Wide

45.5"L x 31.5"D x 53.5"H

Main Surface

45.5"L x 26.3"D

30" - 36" from floor

Two Angled Surfaces

45.5"L x 11.5"D

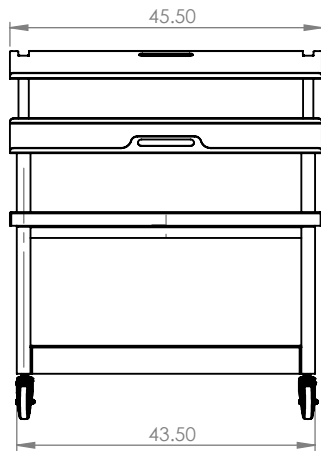
Weight Capacity

300 lbs. Main Surface 150 lbs.

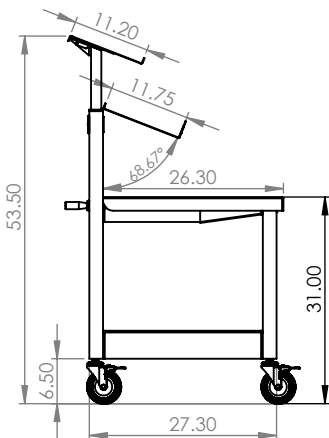
Angled Surfaces **evenly distributed*

Working Surface

62% Increase in working surface compared to standard table



Front View

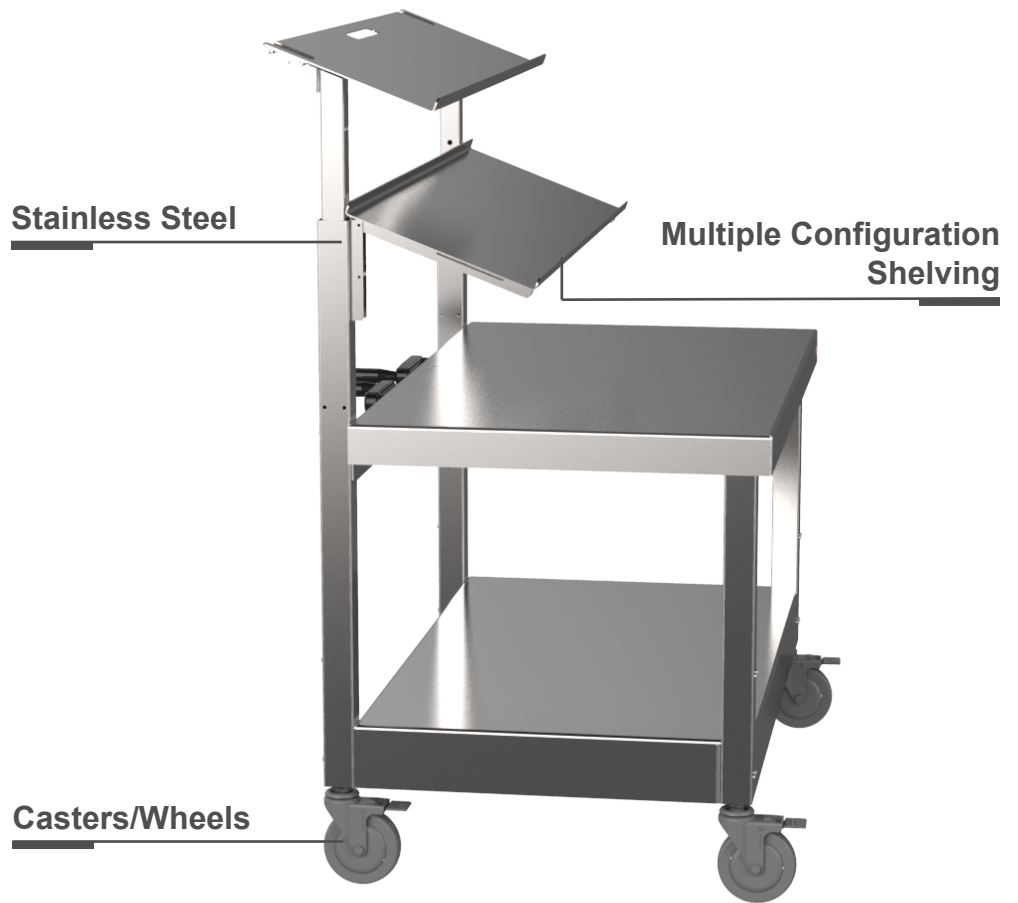


Side View

Stainless Steel

Multiple Configuration Shelving

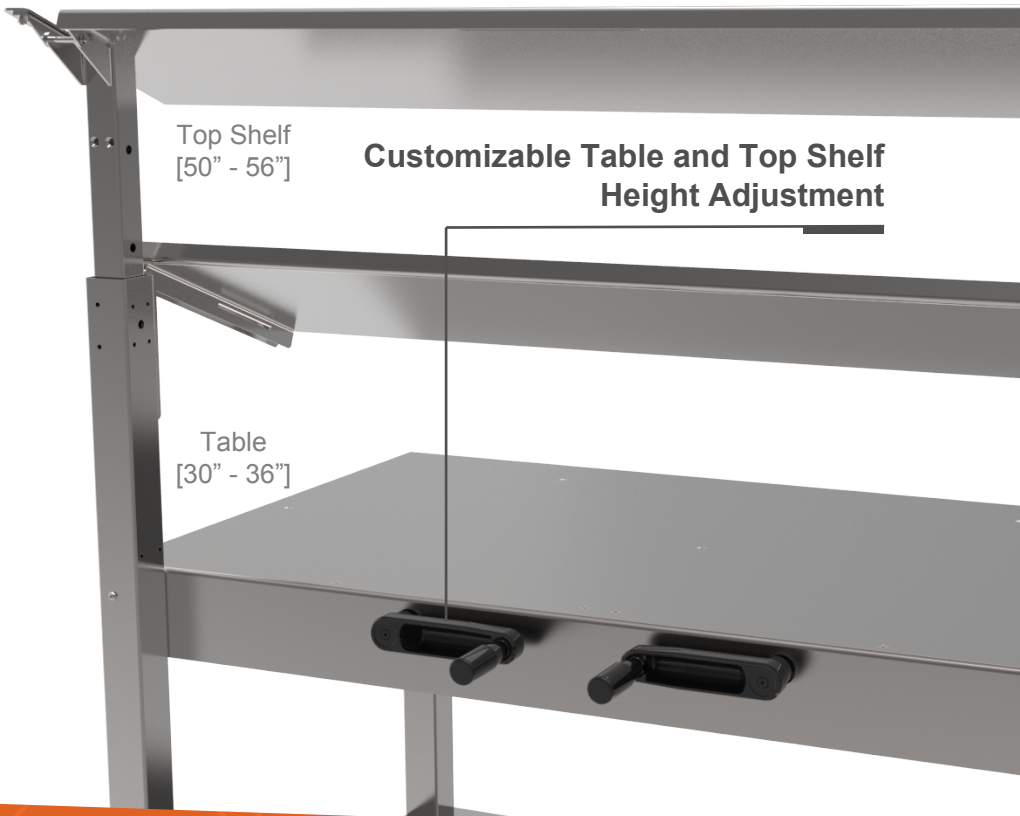
Casters/Wheels



Top Shelf
[50" - 56"]

Customizable Table and Top Shelf
Height Adjustment

Table
[30" - 36"]



DINAMICOR DOUBLE WIDE

SCALE: 1:25 ALL DIMENSIONS IN INCHES

DINAMICOR
YOUR TABLE | YOUR WAY
WWW.DINAMICOR.COM